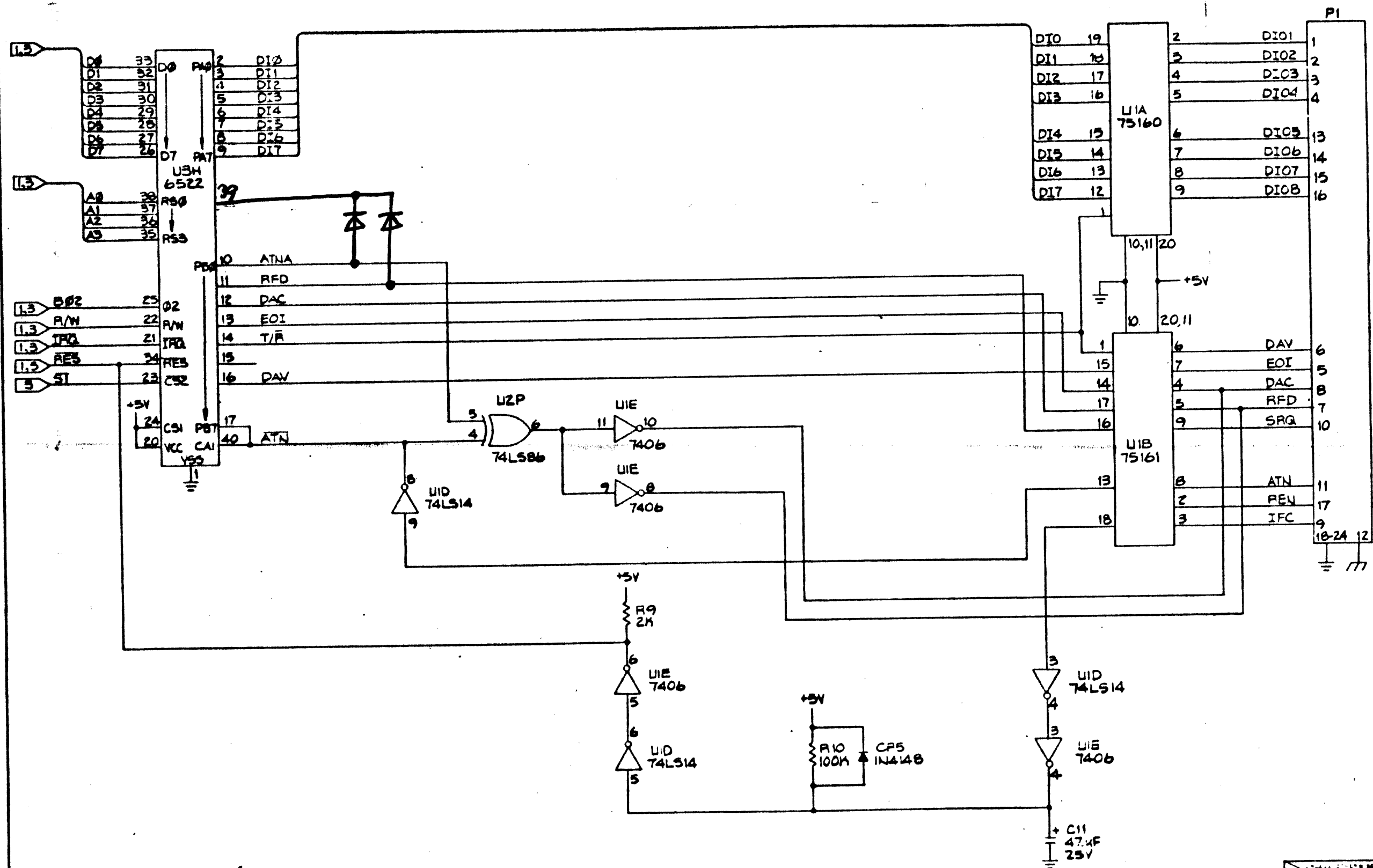


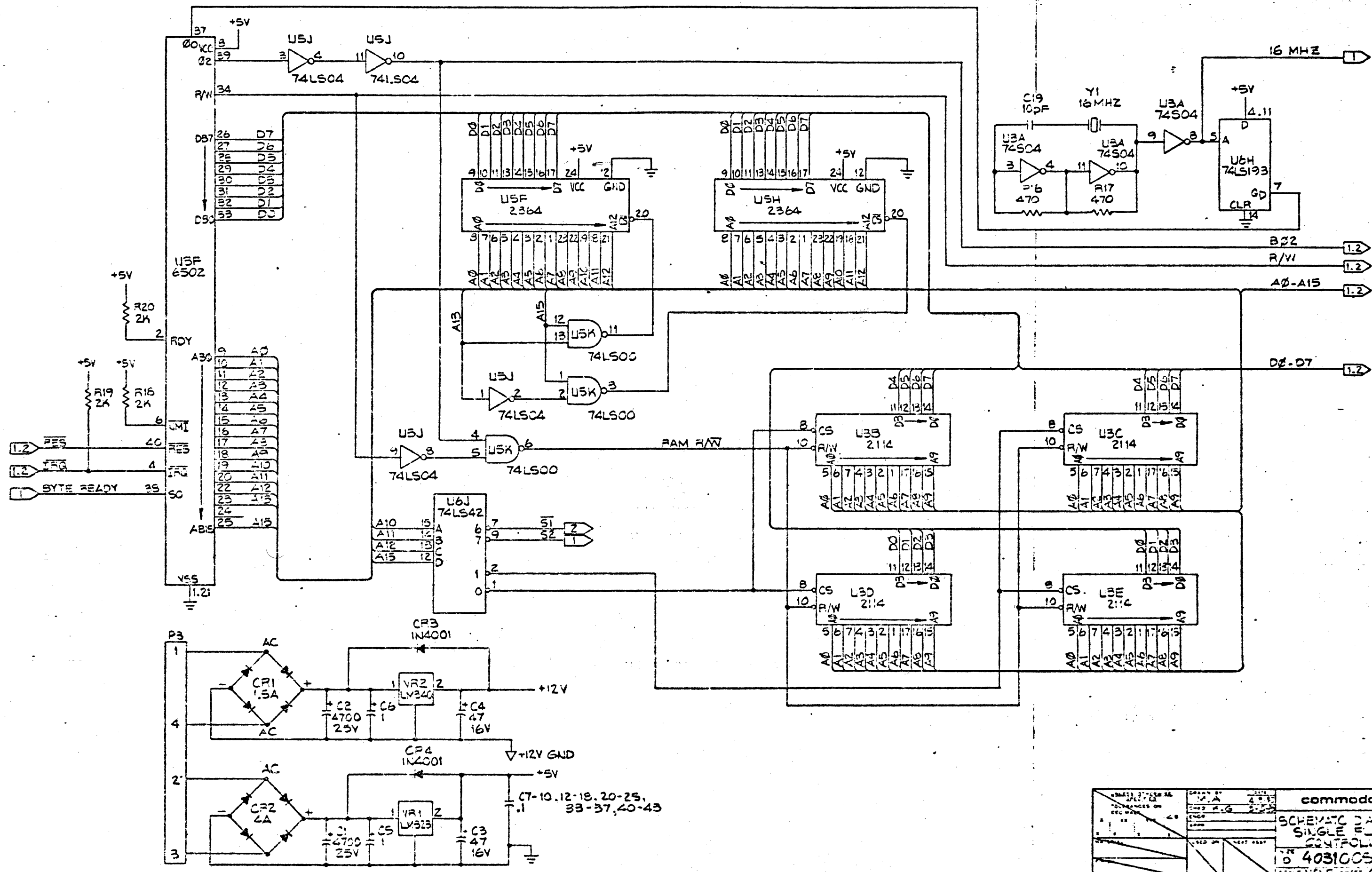


LTR		IONE	REVISION	DESCRIPTION	DATE	APPROVED
				SEE SHT 1		



	DRAWN BY CHECKED BY DATE	<b>commodore</b> SCHEMATIC DIAGRAM SINGLE FLOPPY CONTROLLER D 4031003 SCALE 1:1
--	--------------------------------	--

REVISIONS				
LTR	ZONE	DESCRIPTION	DATE	APPROVED
		SEE SHEET 1		



DESIGNED BY	DATE	commodore
CHECKED BY	DATE	
SCHEMATIC DIAGRAM		4031005
SINGLE FLOPPY		
CONTROLLER		
DRAWN BY		
DATE		
REVISIONS		
BY		
DATE		

QUANTITY REQD PER PART/DASH NO.										ITEM	DS	PART NUMBER	DESCRIPTION	REF DES	BEND	NOTES
										1	D	2031004-01	PCB FAB-SINGLE FLOPPY CONTROLLER			
										2	D	2031005-01	SCHEM-SINGLE FLOPPY CONTROLLER			
										3						
										1	B	901521-21	IC .74LS02	U2M		
										1	B	901493-01	.75160	U1A		
										2	B	901437-01	.6522	U3H,U3J		
										1	B	901521-12	.74LS165	U3L		
										1	B	901563-01	.65245	U3K		
										1	B	901521-28	.74LS164	U2K		
										1	B	901521-15	.74LS133	U2L		
										2	B	901521-06	.74LS74	U3M,U3N		
										2	B	901521-01	.74LS00	U5K,U6M		
										2	B	901521-02	.74LS01	U5J,U6L		
										1	B	901521-32	.74LS86	U2P		
										1	B		.2364	U5H		
										1	B	901521-17	.74LS42	U6J		
										1	B	901521-40	.74LS191	U5L		
										1	B	901521-24	.74LS10	U6K		
										1	B	901523-01	.74504	U3A		
										1	B	901494-01	.75161	U1E		
										1	B	901523-04	.311	U2F		
										2	B	901523-08	.592	U3R,U5R		
										1	B	901521-30	.74LS14	U1D		
										3	B	901522-06	.7406	U1E,U1N,U6N		
										1	B		.2364	U5F		
										1	B	901510-01	.9602	U3N		
										3	B	901521-26	.74LS193	U2N,U5M,U6H		
										4	B	901453-04	.2114	U3B,U3C,U3D,U3E		
										1	B	901435-01	.6502	U5F		
										1	B	901521-13	IC .74LS139	U1P		
										1	B	900100-27	CAP.ELECTROLYTIC. 47uF.25V	C11		
										2	B	900110-05	.47uF.50V	C46,C47		
										2	B	900101-40	4700uF.25V	C1,C2		
										2	B	900101-37	47uF.16V	C3,C4	SEE ITEM 36 FOR SUBSTITUTION	
										5	B	900100-33	47uF.16V	C5,C4	SUBSTITUTION FOR ITEM 35	
										2	B	900110-07	CAP.ELECTROLYTIC. 1uF.50V	C5,C6		

QUANTITY REQD PER PART / DASH NO.										ITEM	DS	PART NUMBER	DESCRIPTION	REF DES	BEND	NOTES
										31	B	900461-28	CAP. CERAMIC AXIAL .1uF. 50V	CT-C10, C11		C20-C25, C33, C37, C40-C44, C49-C52
										2	B	900461-20	.022uF. 50V	C20, C21		
										1	B	900462-13	10pF. 50V	C19		
										2	B	900462-49	330pF. 50V	C28, C29		
										2	B	900462-58	750pF. 50V	C27, C28		
										1	B	900402-61	CAP. CERAMIC AXIAL 1000pF. 50V	C30		
										1	B	900108-31	CAP. LOW LEAK ELECT 10uF. 25V	C45		
										1	B	900462-58	CAP. CER. XTR ±5% 750pF. 50V	C39		
										1	B	900462-41	CAP. CERAMIC AXIAL 150pF. 50V	C26		
										1	B	900402-02	CAP. DIPPED TANT. 3.3uF. 33V	C43		
										48						
										1	B	900943-11	DIODE. ZENER 5.1V	CR10		
										6	B	900750-03	DIODE. 1N4003	CR3, CR4, CR6-CR9		
										1	B	900756-01	DIODE. 1.5A BRIDGE	CR1		
										1	B	900755-01	DIODE. 4A BRIDGE	CR2		
										7	B	900850-01	DIODE. 1N4148	CR5, CR11, CR16		
										1	B	900943-06	DIODE. ZENER. 1N5222B	CR17		
										1	B	901523-01	VOLTAGE REGULATOR. LM330T03	VR1		
										1	B	901523-04	VOLTAGE REGULATOR. LM340-12V	VR2		
										1	B	900556-02	CRYSTAL. 16.000MHZ	Y1		
										59						
										3	B	901301-01	CHOKE. 100uH	L1-L3		
										2	B	901301-06	CHOKE. 22uH	L4, L5		
										61						
										2	B	901751-15	RESISTOR. CARBON 1/4W ±5% 2.09K	R38, R39		
										6	B	901550-89	RESISTOR. CARBON 1/4W ±5% 150Ω	R2-P5, P23, R29		
										2	B	901550-52	220Ω	R35, R36		
										3	B	901550-14	330Ω	R14, R24, R25		
										5	B	901550-58	470Ω	R16, R17, R22, R23, R42		
										1	B	901550-38	510Ω	R15		
										2	B	901550-31	650Ω	R34, R6		
										2	B	901550-01	1K	R33, R40		
										6	B	901550-53	2K	R1, R9, R13-R20, R37		
										1	B	901550-12	22K	R21		
										3	B	901550-43	2.2K	R13, R26, R27		
										1	B	901550-10	RESISTOR. CARBON 1/4W ±5% 180Ω	R41		
										72						

Commodore

TITLE: PCB ASSY-  
SINGLE FLOPPY CONTROLLER

DATE: 12/12/77  
DRAWN: [Signature]

ENGR: [Signature]  
APPR: [Signature]

SIZE: 3  
PART NO: 4031006

REV: A  
SHT: 7/8



QUANTITY REQD PER PART / DASH NO.										ITEM	OS	PART NUMBER	DESCRIPTION	REF DES	BEND	NOTES	
										1	75	B	901550-07	RESISTOR, CARBON 1/4W ±5% 100K	R10		
										1	77	B	901600-41	RESISTOR, CARBON 1/2W ±5% 300Ω	R30		
										2	78	B	901550-23	RESISTOR, CARBON 1/4W ±5% 27K	R31, R32		
											79	B	901550-76	RESISTOR, CARBON 1/4W ±5% 270Ω	R42		
										3	80	B	904150-06	SOCKET, IC LOW PROFILE 40PIN	XU3F, XU3H, XU3J		
										2	81	B	904150-04	SOCKET, IC LOW PROFILE 24PIN	XU5F, XU5H		
										1	82	B	902704-01	TRANSISTOR, 2N4403	Q3		
										1	83	B	902552-01	TRANSISTOR PACK FPQ3724	U1L		
										1	84	B	902652-01	TRANSISTOR, 2N4401	Q1		
										1	85	B	902653-03	TRANSISTOR, 2N4400	Q2		
										1	86	B	903316-04	HEADER ASSY (156)	P3		
										1	87	B	903206-01	CONNECTOR RT ANGLE IEEE 488	P1		
										1	88	B	903315-01	HEADER RIGHT ANGLE	P2		
											89						
											90						
										2	91	B	902906-03	HEATSINK, TO-3			
											92						
										2	93	B	906403-03	RIVET, DOME HEAD-OPEN END			
										4	94	B	906403-13	RIVET, DOME HEAD-OPEN END			
										1	95	B	905051-04	TIE, CABLE			
											96						
											97						
											98						
											99						
											100						
											101						
											102						
											103						
											104						
											105						
											106						
											107						
											108						
											109						
											110						
											111						